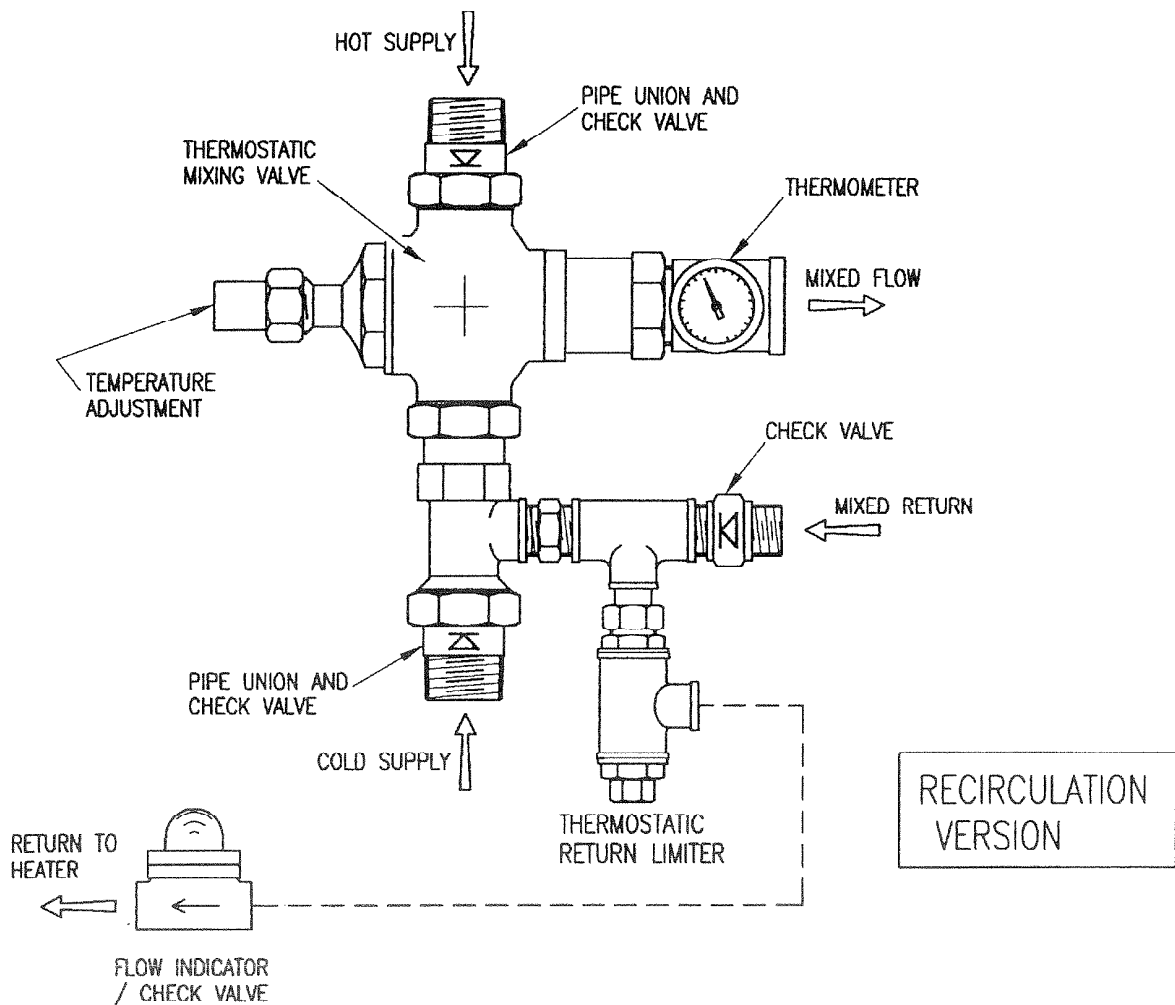
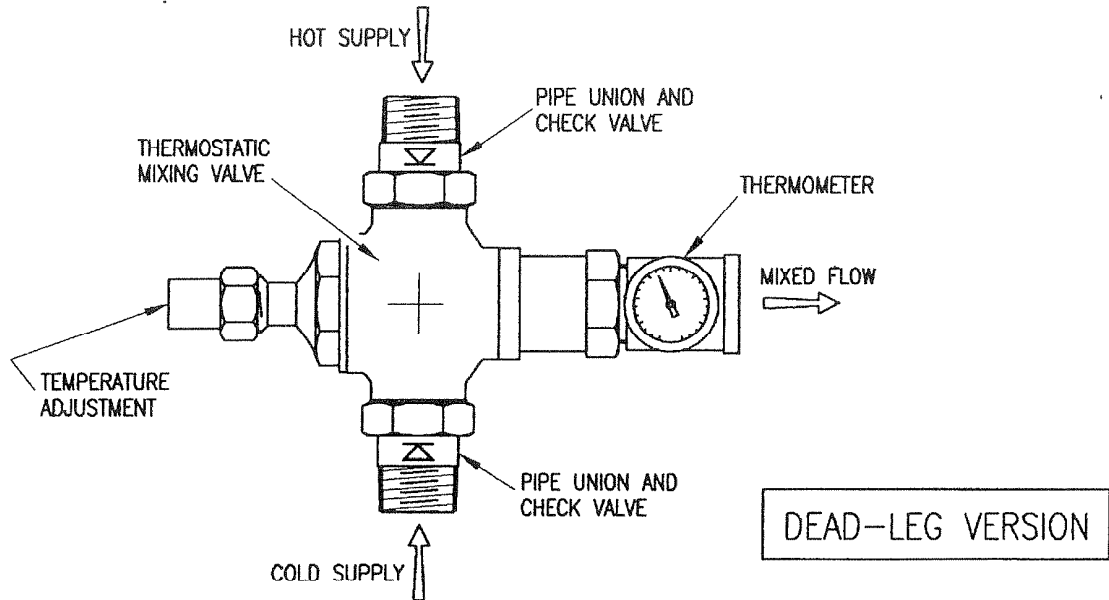


# HORNE® THERMOSTATIC MIXING VALVES

MODEL: H-32



OPERATING CONDITIONS:

MAX'M. HOT WATER SUPPLY TEMPERATURE: 85°C

MIN'M. HOT WATER SUPPLY TEMPERATURE: MIXED TEMPERATURE + 10 K

MAX'M. COLD WATER SUPPLY TEMPERATURE: MIXED TEMPERATURE - 10 K

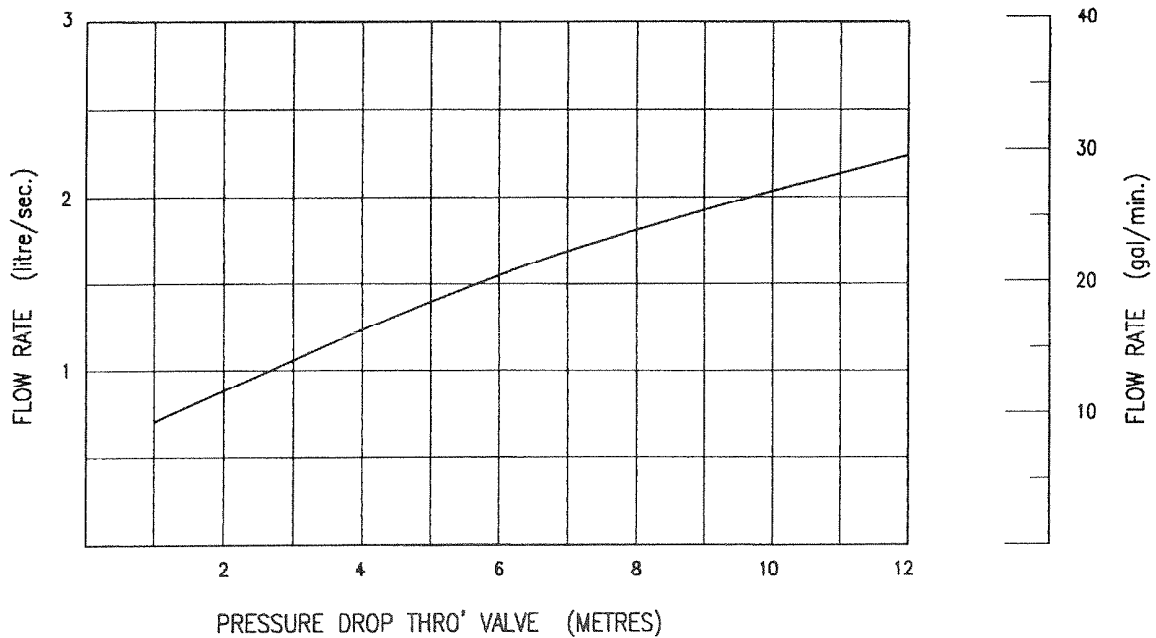
MAX'M. STATIC PRESSURE: 10, bar

MAX,M. PRESSURE DROP THROUGH VALVE: 2, bar

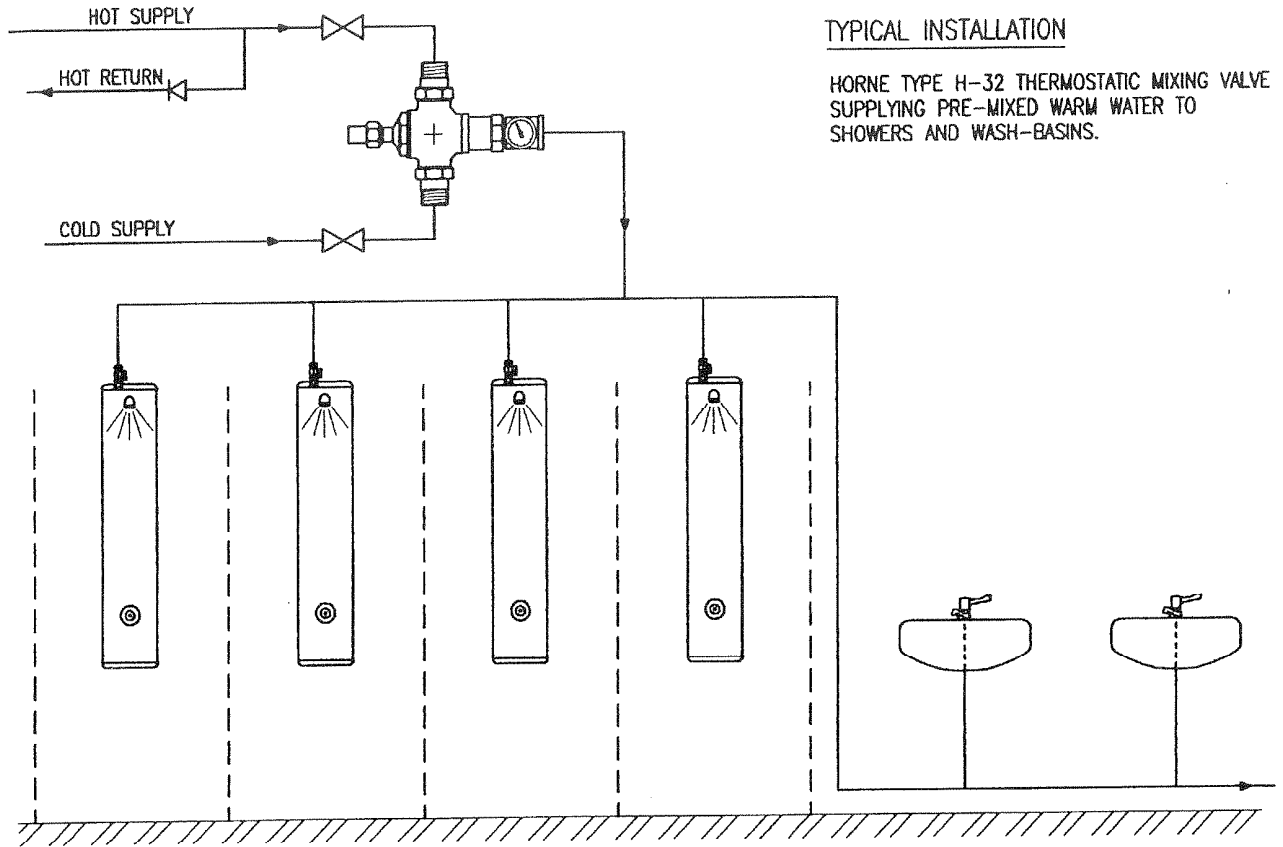
MAX'M. RECOMMENDED FLOW-RATE: 2.5 LITRE/sec

HOT AND COLD SUPPLY PRESSURES SHOULD BE NOMINALLY EQUAL. (i.e. THE HOT AND COLD STATIC HEAD SHOULD BE EQUAL)

RANGES OF TEMPERATURE ADJUSTMENT: (15 to 32°C)  
(32 to 52°C)  
(45 to 62°C)  
(58 to 80°C)

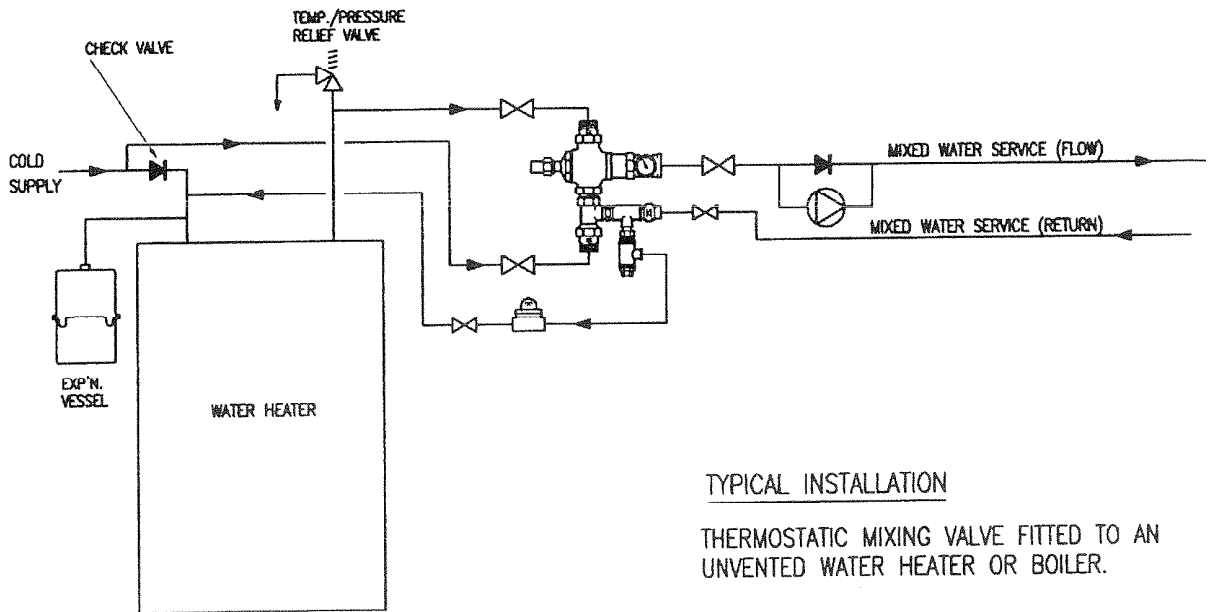


H-32 CAPACITY CHART



TYPICAL INSTALLATION

HORNE TYPE H-32 THERMOSTATIC MIXING VALVE  
SUPPLYING PRE-MIXED WARM WATER TO  
SHOWERS AND WASH-BASINS.



TYPICAL INSTALLATION

THERMOSTATIC MIXING VALVE FITTED TO AN  
UNVENTED WATER HEATER OR BOILER.

